



76 D

2,8 kW | Diesel Oven

Power:	1000-2800 W
Operating Voltage:	12 V DC
Fuel Consumption:	0,1-0,3 l/h 3.4 -10.1 oz/hr
Electricity Consumption:	2,6-3,8 A
Dimensions:	L 479 mm / 18 7/8" W 435 mm / 17 1/8" H 385 mm / 15 3/16"
Weight:	26 kg / 57,3 lbs.



Wallas convection oven **cooks faster** with an enhanced air circulation.

Feeding fuel directly from the main tank of the vessel or vehicle **saves space** and eliminates the need for a separate tank.

Laminar combustion is a safe burning process with **no open flame**.



100% gas free solution. No need for gas lines and inspections any more.

Diesel convection oven is for boater's and camper's who want to have the **same quality of life** in off-grid locations as at home.

The 3009 Advanced Control Panel makes it **easy to operate** with all relevant information visible on the digital panel.



The highly precise **thermostat maintains the cooking temperature accurate** and enables you to prepare the meals you've always wanted.

Remote maintenance and updating of the oven is possible through our cloud service.

E mark approval for vehicles.



100% GAS FREE SOLUTION

MAXIMUM UP TO 225 °C

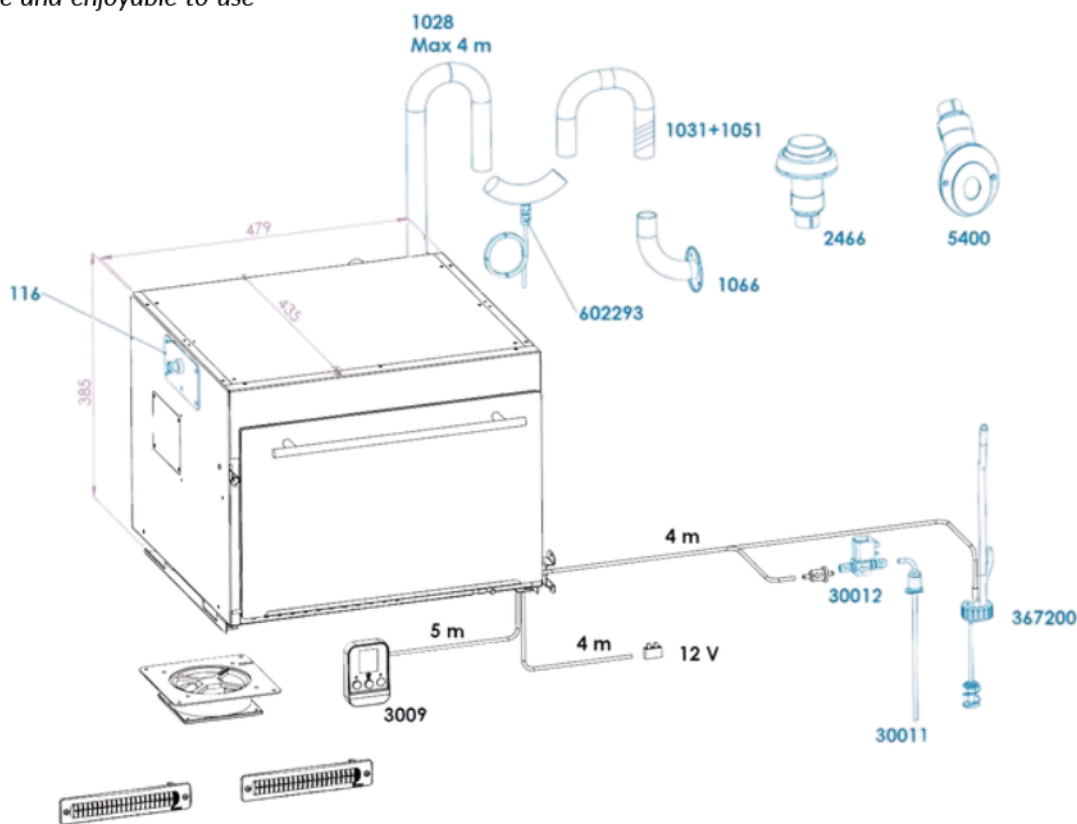
COOKING JUST LIKE HOME

BUILT-IN ALTITUDE SWITCH

The stainless steel surface is not only robust and visually appealing but it is also air-cooled, making it safe and enjoyable to use during the summer.

INSTALLATION

Gimbal attachment also available for boats



FEATURES

- Unrestricted use in camping areas and in marinas.
- Low consumption in diesel and electricity.
- Warranty 2+1 years.
- Robust and high quality product with strong Finnish design.

3009 ADVANCED THERMO | Control Panel

- Simple start with a press of a button
- Exact temperature setting between 150-225 °C
- Easy-to-read digital display



Accessories in black come with the standard package. Accessories in blue are additional/optional. All rights reserved. Wallas-Marin reserves the right to change or improve its products and to make changes in the content of this brochure without obligation to notify any person or organization of such changes or improvements. Go to www.wallas.com for current updates and supplemental information concerning these products.