



# CAMPER / MARINE

DIESEL HEATING AND COOKING



## 600 DUO

2,0 kW | Stove-Heater Combination

Power:	1000-2000 W
Operating Voltage:	12 V DC
Fuel Consumption:	0,1-0,2 l/h 3.4. - 6.8 oz/hr
Electricity Consumption:	0,6-1,1 A
Dimensions:	L 327 mm / 12 7/8" W 290 mm / 11 27/64" H 161 mm / 6 11/32"
Weight:	9 kg / 19 lbs.



### All-In-One device

With the blower lid **lifted up** operates as a forced air diesel **stove** and with the blower lid **lowered** as a diesel **heater**.

600 DUO is **gas-free cooking and heating solution**. No need for gas lines and yearly inspections any more.

Ceramic cooktop is **easy to keep clean**.



Due to the patented thermal layer in the lid, **the surface stays cool** even on full power. This improves the safety on every journey.

**Unrestricted use** in marinas and camping areas.

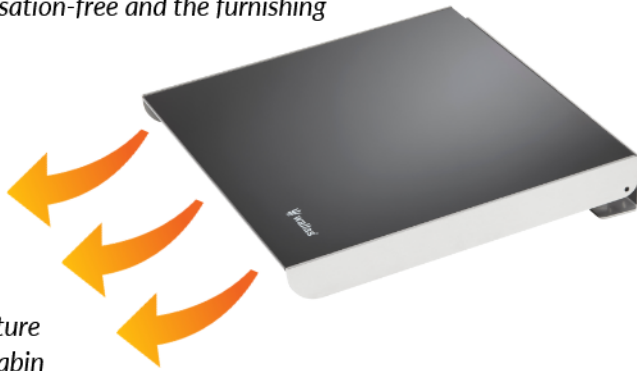


State-of-the art flat facet ground surface gives a **fresh and modern look**.

Stove 600 D + blower lid 230. The lid **can be installed also afterwards**.

Premium advanced electronical solutions enable **remote updates**, diagnostics and resolution of hardware-specific issues.

With the blower lid lowered, the unit operates as a heater producing dry heat, which keep the windows condensation-free and the furnishing fresh.

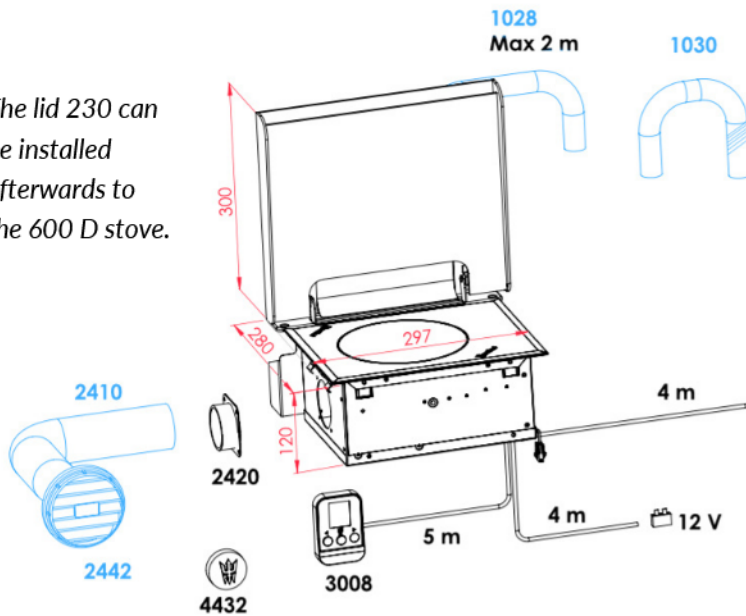


Wireless temperature sensor monitors cabin temperature with improved accuracy and flexibility.

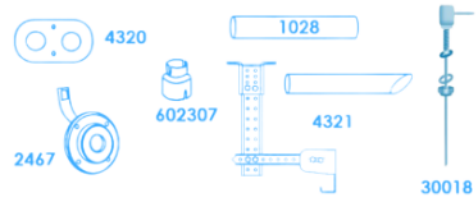


## INSTALLATION

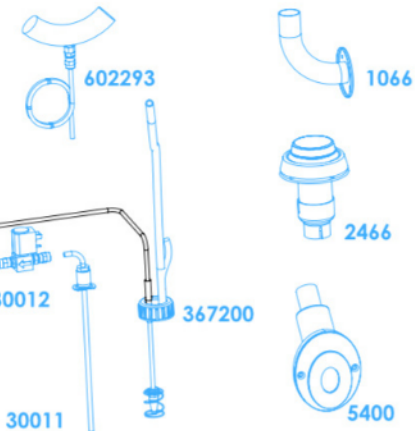
The lid 230 can be installed afterwards to the 600 D stove.



### RV ACCESSORIES



### BOAT ACCESSORIES



## FEATURES

- Unrestricted use in camping areas and in marinas.
- Low consumption in diesel and electricity.
- Warranty 2+1 years
- Blower lid protects touching any hot surface. Lid itself is air cooled and safe.

## 3008 ADVANCED

### THERMO | Control Panel

- Use heater/cooker combination in Thermo Mode to hold a target room temperature steplessly.
- Switch to Manual Mode for cooking perfection.
- Easy to read digital display



Accessories in black come with the standard package. Accessories in blue are additional/optional. All rights reserved. Wallas-Marine reserves the right to change or improve its products and to make changes in the content of this brochure without obligation to notify any person or organization of such changes or improvements. Go to [www.wallas.com](http://www.wallas.com) for current updates and supplemental information concerning these products.