

# 600 FF

2,0 kW | Stove-Heater Combination

Power:	1000-2000 W
Operating Voltage:	12 V DC
Fuel Consumption:	0,1-0,2 l/h 3.4. - 6.8 oz/hr
Electricity Consumption:	0,6-1,1 A
Dimensions:	L 365 mm / 14 3/8" W 314 mm / 12 23/64" H 161 mm / 6 11/32"
Weight:	10 kg / 22 lbs.



Flush mounted  
version of  
600 DUO



### All-In-One device

With the blower lid **lifted up** operates as a forced air diesel **stove** and with the blower lid **lowered** as a diesel **heater**.

600 FF is **gas-free cooking and heating solution**. No need for gas lines and yearly inspections any more.

Ceramic cooktop is **easy to keep clean**.



Due to the patented thermal layer in the lid, **the surface stays cool** even on full power. This improves the safety on every journey.

**Unrestricted use** in marinas and camping areas.



State-of-the art flat facet ground surface gives a **fresh and modern look**.

The blower lid sits flush with the countertop when the lid is closed increasing the countertop space in smaller kitchens.

Premium advanced electronical solutions enable **remote updates**, diagnostics and resolution of hardware-specific issues.

With the blower lid lowered, the unit operates as a heater producing dry heat, which keep the windows condensation-free and the furnishing fresh.



Wireless temperature sensor monitors cabin temperature with improved accuracy and flexibility.

**2-IN-1 DEVICE**

**100% GAS FREE SOLUTION**

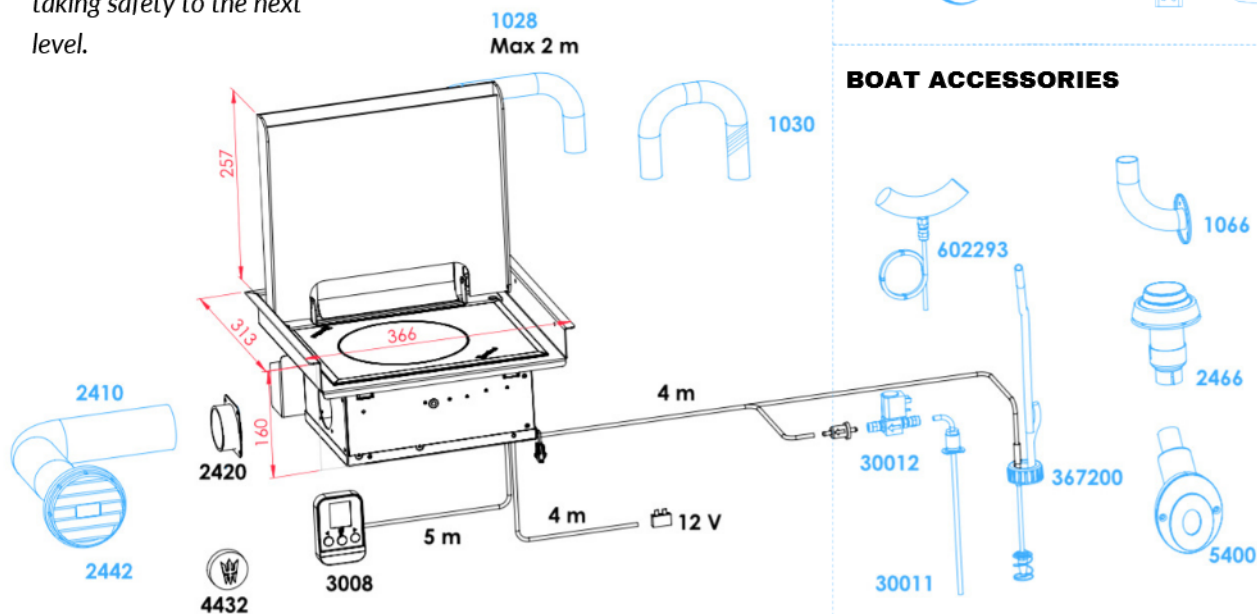
**EXTREMELY SMOOTH DESIGN**

**AIRCOOLED AND SAFE LID**

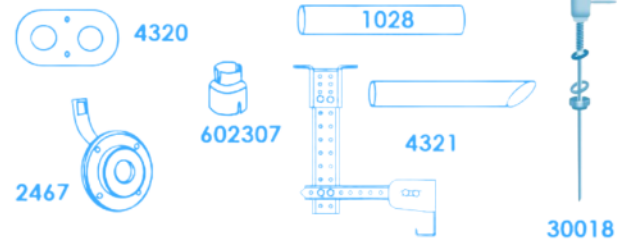
## INSTALLATION

wallas  
**NEW**

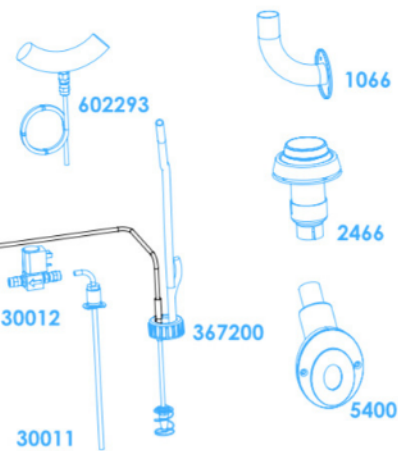
Due to the patented thermal layer in the lid, the surface stays cool even on full power taking safety to the next level.



### RV ACCESSORIES



### BOAT ACCESSORIES



## FEATURES

- Unrestricted use in camping areas and in marinas.
- Low consumption in diesel and electricity.
- Warranty 2+1 years.
- Blower lid protects touching any hot surface. Lid itself is air cooled and safe.

## 3008 ADVANCED

### THERMO | Control Panel

- Use heater/cooker combination in Thermo Mode to hold a target room temperature steplessly.
- Switch to Manual Mode for cooking perfection.
- Easy to read digital display



Accessories in black come with the standard package. Accessories in blue are additional/optional. All rights reserved. Wallas-Marine reserves the right to change or improve its products and to make changes in the content of this brochure without obligation to notify any person or organization of such changes or improvements. Go to [www.wallas.com](http://www.wallas.com) for current updates and supplemental information concerning these products.

[wallas.com](http://www.wallas.com)